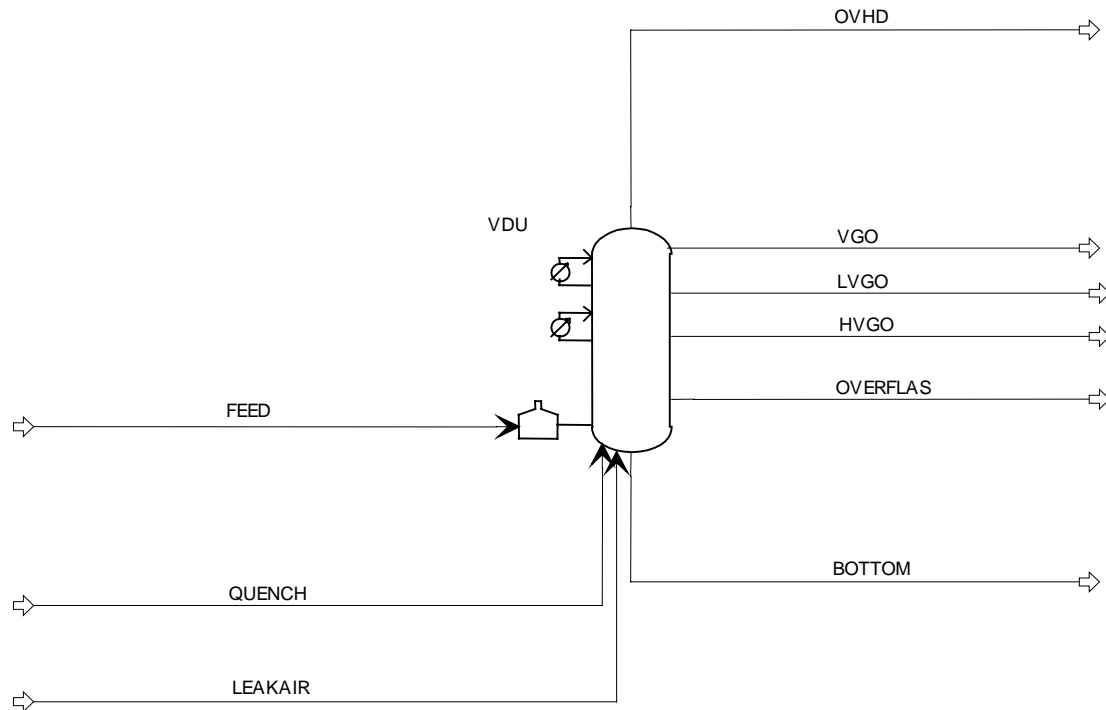

Description : Vacuum Distillation Unit (VDU)

Process Flow Diagram



Process Description

Crude is fed to Vacuum Distillation Unit (VDU). The cuts namely VGO, LVGO and HVGO are designed to meet their ASTM cut point specifications. There are two pumparounds. Structured packings are used as column internals. The selection of structured packing depends on the consideration of mass and heat transfer across column.

Experience

Finepac™ Structures Pvt. Ltd. have design strength to model and design of refinery processes. FSPL has acquired specialty in VDU where structured packing is obvious for column internals. The main jobs carried out by FSPL is to retrofit existing tray columns with structured packing to increase capacity and performance.